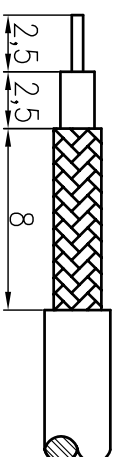
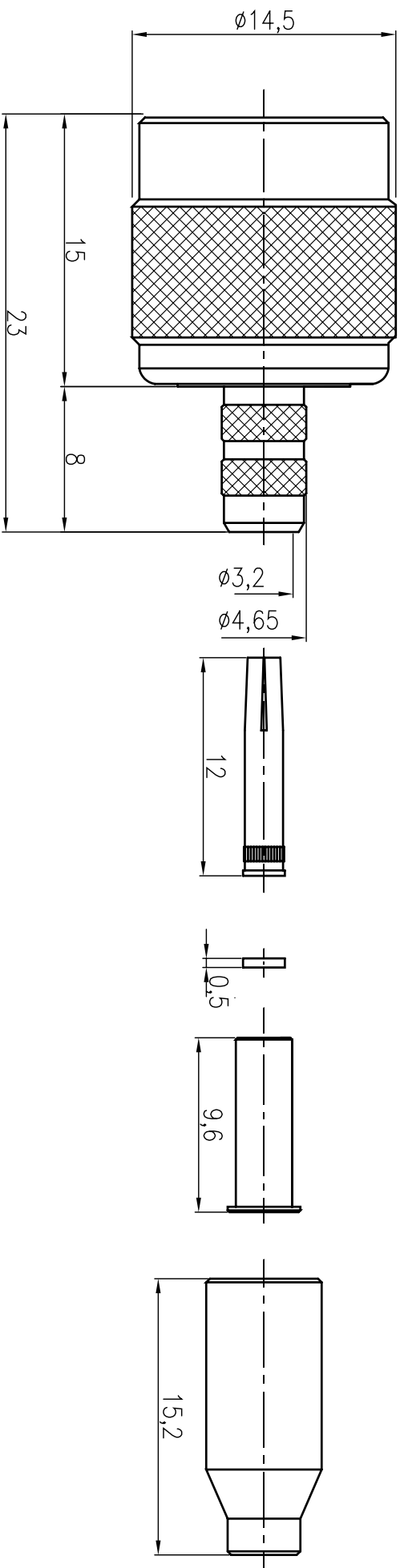


Notes:

1. TYPE OF CABLE : Nice Foundation / NFC 100
2. FREQUENCY : UP TO 6GHz
3. IMPEDANCE : 50 ohm
4. VSWR : straight 2.0 max



RECOMMEND CABLE STRIPPING DIM'S



⑩	MA-30094(A)	TUBE	C3604	Ni 100u" min	1
⑨	MA-30095(A)	FERRULE	C3604	Ni 100u" min	1
⑧	PA-00032(A)	INSULATOR(B)	TEFLON	NATURE	1
⑦	MA-10097(A)	CONTACT PIN	C3604	Ni 100u" + Au 3u"	1
⑥	MA-30096(A)	METAL PARTS	C3604	Ni 100u" min	1
⑤	MA-30068(C)	WASHER	C3604	Ni 100u" min	1
④	MF-00005(A)	RETAINER RING	C3604	NATURE	1
③	PB-00011(A)	GASKET	RUBBER	RED	1
②	PA-00031(A)	INSULATOR(A)	TEFLON	NATURE	1
①	MA-30071(A)	SHELL	C3604	Ni 100u" min	1
NO.	DRAWING NO.	NAME	MATERIAL	FINISH	Q.TY

DIMENSIONS ARE IN MILLIMETERS
UNLESS STATED OTHERWISE.

TOLERANCES

0.5-6 = ±0.2

6-30 = ±0.4

30-120 = ±0.6

120-315 = ±1

315-1000 = ±1.6

1000-2000 = ±2.4

SIZE 3 : 1 UNIT	MATERIAL		FINISH		NAME TNC PR FOR RG174 CONNECT
	APPROVE	CHECK	DESIGNER	DRAW	
mm			River	Grace	MODEL TNC-PR13501
PROJECT					REV. A
			070411	070411	DWG TITEL
					REV.

JY CHYUN ENTERPRISE CO., LTD.
JY CHYUN